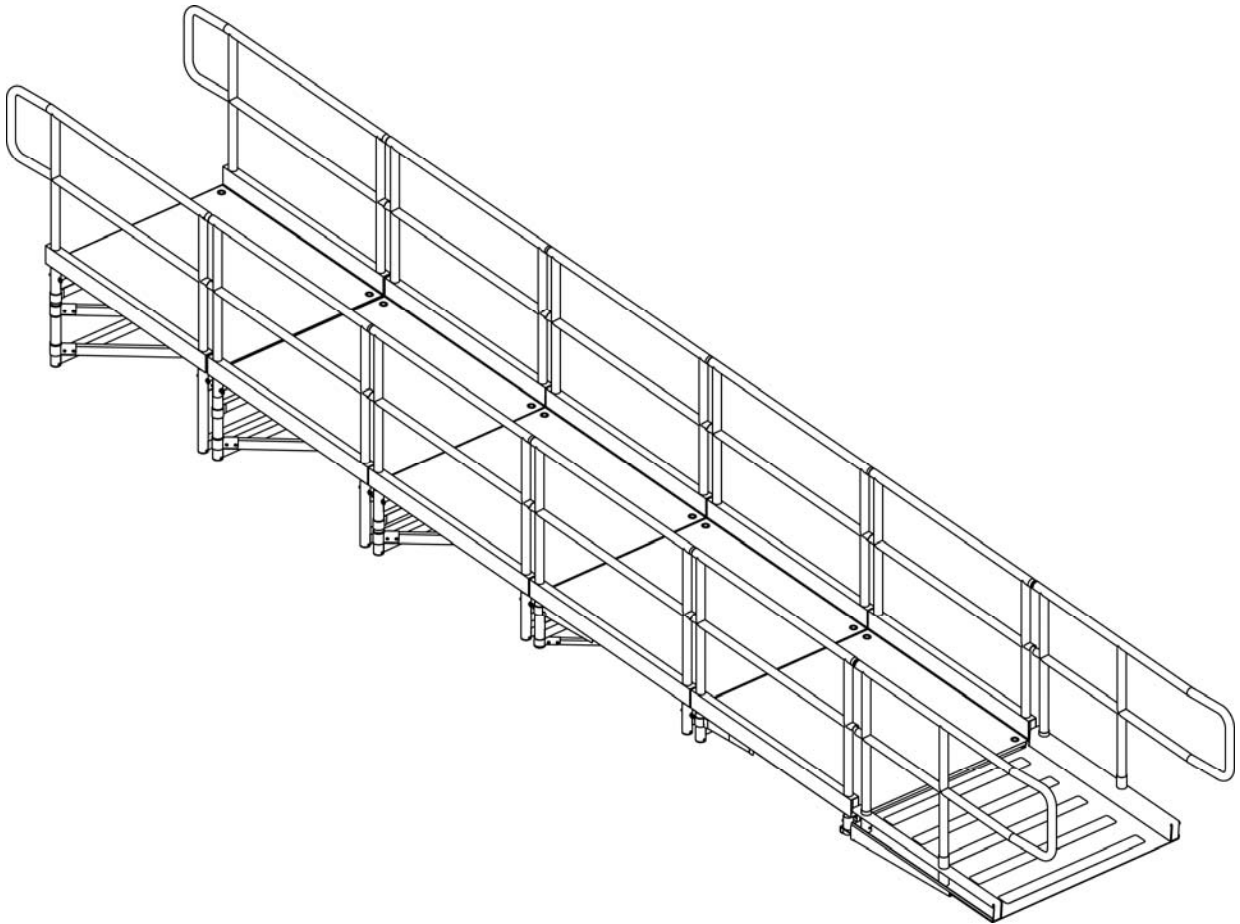




# STAGE RIGHT

## PRODUCT INFORMATION PACKET

PRODUCT NAME: ADA Ramp



**KEEP INFORMATION PACKET FOR FUTURE REFERENCE**

# Table of Contents

---

- Introduction.....1
- General Safety Rules.....2
- Symbols.....3
- Technical Specifications.....4
- Instructions.....5
- Maintenance.....7
- Customer Service Information.....7

## Introduction

---

The StageRight ADA Ramp has been designed and manufactured with safety, performance and dependability as top priorities, making it easy to operate and maintain.

The care you give your ADA Ramp will greatly determine your satisfaction with its performance and service life. Careful study of this manual is encouraged to obtain a thorough understanding of your new ADA Ramp and its functions and maintenance.

If your manual becomes lost or destroyed, StageRight will gladly provide you with a new copy. Should you require additional information or assistance, please feel free to contact us at 1-800-438-4499.

BECAUSE STAGERIGHT CORPORATION MAINTAINS AN ONGOING  
PROGRAM OF PRODUCT DEVELOPMENT AND IMPROVEMENT, WE  
RESERVE THE RIGHT TO MAKE IMPROVEMENTS IN DESIGN OR CHANGES  
IN SPECIFICATIONS WITHOUT INCURRING ANY OBLIGATIONS TO INSTALL  
THEM ON UNITS PREVIOUSLY SOLD.

# General Safety Rules

---



## **WARNING!**

### **READ AND UNDERSTAND ALL INSTRUCTIONS.**


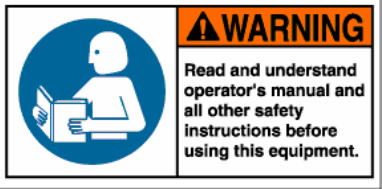

Failure to follow all instructions listed below may result in serious personal injury.

---

## **SAVE THESE INSTRUCTIONS**

- **Stay clear of all pinch points.**
- **Make sure that all fasteners are properly engaged before use.** Faspins, button stops, and jam nuts need to be properly engaged before use.
- **Make sure that all decks are positioned properly onto the support system.**
- **Save these instructions.** Refer to them frequently and use them to instruct others who may use the ADA Ramp.
- **Read the Product Information Packet.** Failure to read the information packet is considered a misuse of this equipment.
- **Become familiar with all caution and warning decals affixed to the support system before use.**
- **Never cover or deface caution/warning labels.**

# Symbols

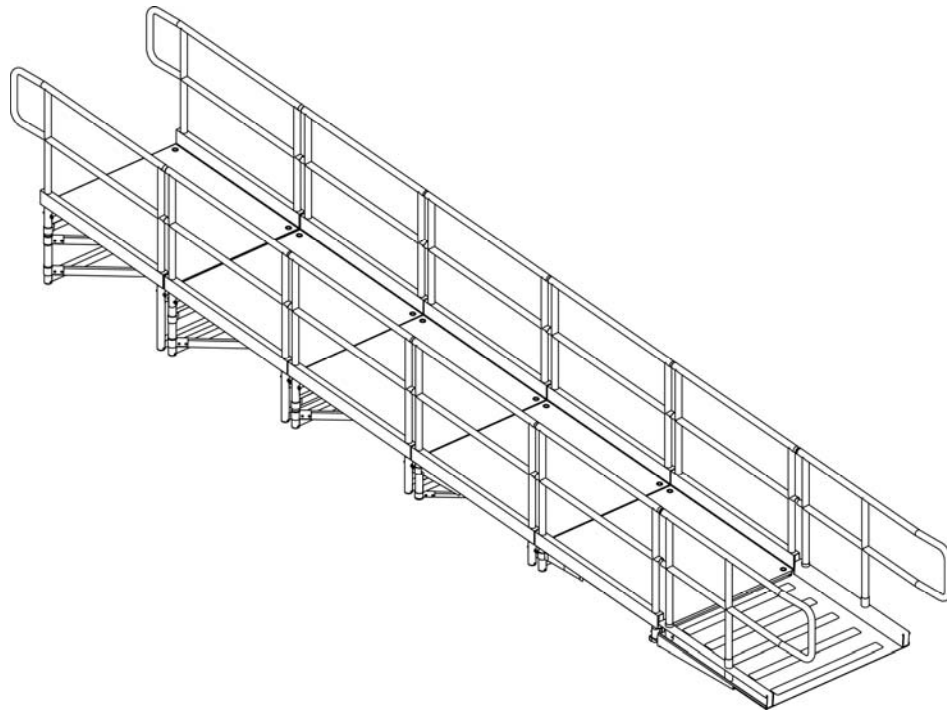
	<p><b>Safety Alert:</b> Precautions that involve your safety</p>
	<p><b>Read The Operator's Manual:</b> To reduce risk of injury, user must read and understand operator's manual before using this product</p>
	<p><b>Pinch Point Warning Label:</b> Failure to keep hands away from pinch points will result in personal injury</p>

# StageRight Corporation Technical Specifications

---

## ADA Ramp

PART #	DESCRIPTION	PART #	DESCRIPTION
350408	0-8" ADA Ramp	350415	0-36" ADA Ramp
350409	0-12" ADA Ramp	350416	0-40" ADA Ramp
350410	0-16" ADA Ramp	350417	0-48" ADA Ramp
350411	0-20" ADA Ramp	350418	0-56" ADA Ramp
350412	0-24" ADA Ramp	350419	0-64" ADA Ramp
350413	0-28" ADA Ramp	350420	0-72" ADA Ramp
350414	0-32" ADA Ramp		

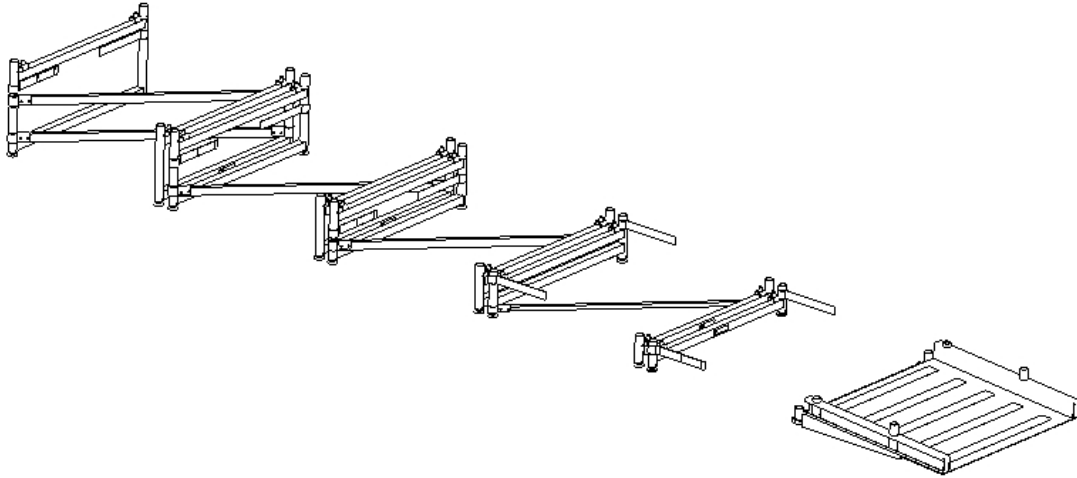


### **Construction, Finish, and Hardware**

- Constructed of ASTM specified steel
- Baked-on powder coat finish.
- Zinc-plated hardware

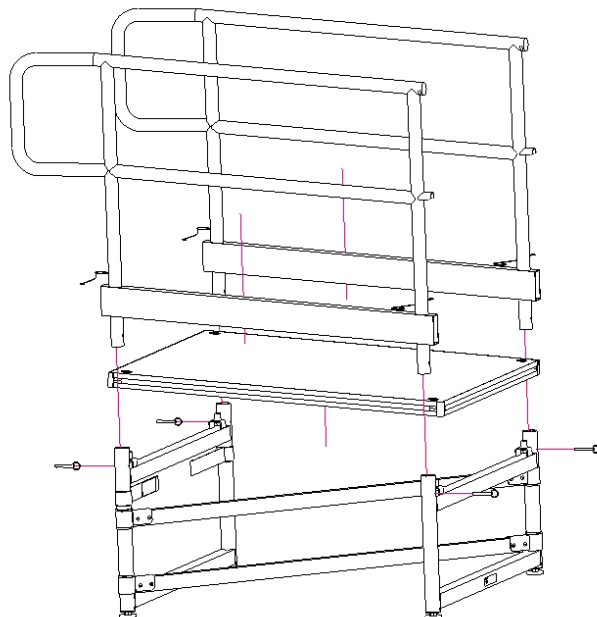
# Instructions

1



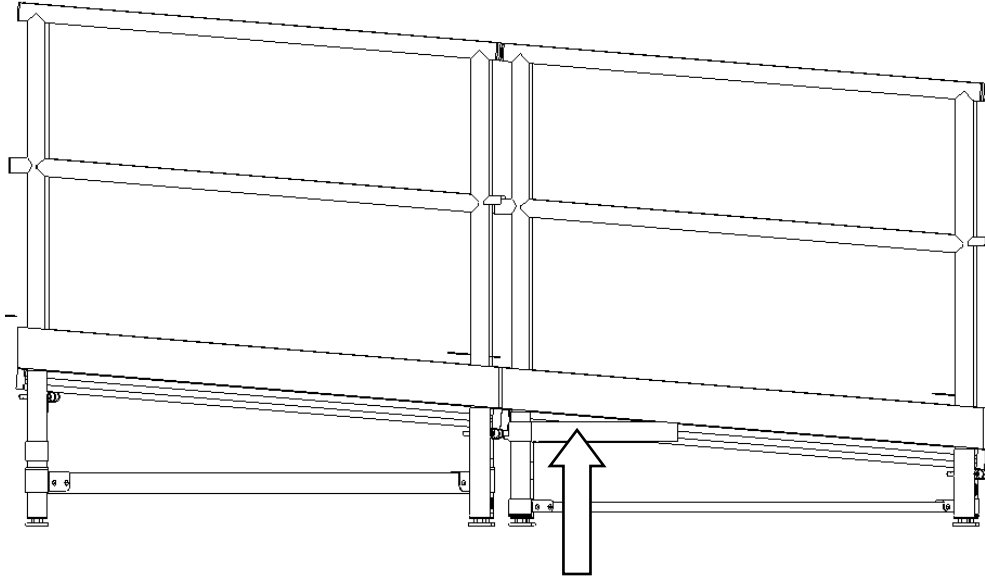
To set up your ADA Ramp, begin by unfolding the unit as shown. Setup ramp understructure in approximate position in which the ramp will be used.

2



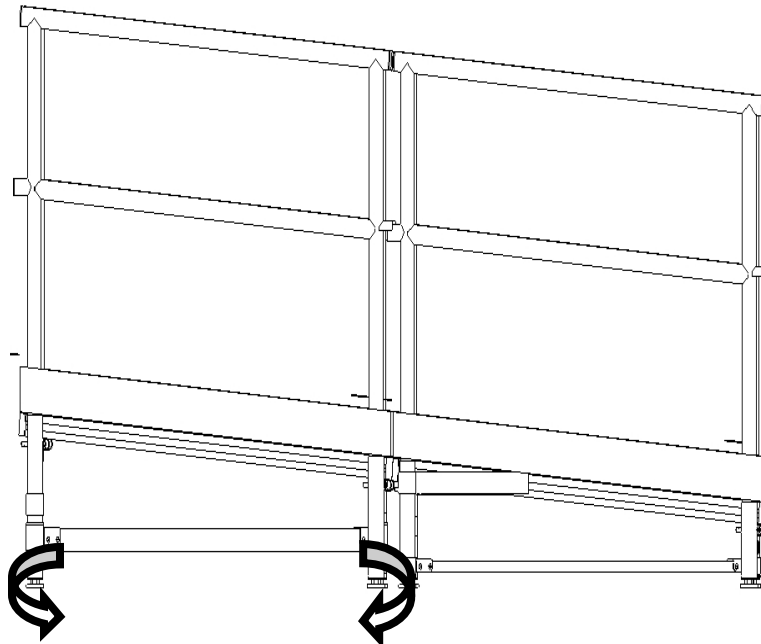
Set deck onto nodes, starting at the lowest section. Insert guardrail into tube. Place (2) faspins per rail through the leg and guardrail. Repeat this step until all decks and rails are secured to ramp.

3



Once all sections are assembled, use Velcro straps to strap the individual sections together, securing the tallest section to the stage first, and working to the shortest section.

4



To level the decks after they have been placed on the ADA Ramp Supports, simply raise or lower the adjustable screw feet by threading them in or out. Once the deck has been leveled, go back and tighten down all of the jam nuts on the screw feet to hold that position.

## Maintenance

---



### **WARNING!**

#### **Read and Understand All Maintenance Procedures**

Failure to follow all procedures listed below may cause serious injury and a decrease in the equipments functional existence.

---

- **Frequently check to see that all fasteners are properly engaged.**
- **Touch up paint can be used to cover any scratches or blemishes sustained through use.**
- **Replace any damaged equipment with genuine StageRight parts.** Failure to do so may result in unsafe equipment and/or personal injury.

## Customer Service

---

For parts or service contact StageRight Corporation. When ordering parts be sure to provide all relevant information available including the name and part number of the equipment purchased. This information is located on the technical specification page of this product information package. Customer Service hours are Monday thru Friday from 8:00 a.m. to 5:00 p.m. Eastern Standard Time. Customers can phone toll-free at (800) 438-4499 or mail:

StageRight Corporation  
495 Pioneer Parkway  
Clare, Michigan 48617  
[www.stageright.com](http://www.stageright.com)





SET UP IN MINUTES



STURDY, WITH NO TOOLS REQUIRED



UNSURPASSED CUSTOMER SERVICE

StageRight Corporation  
495 Pioneer Parkway  
Clare, MI 48617  
Toll-free: 800-438-4499  
Phone: 989-386-7393  
Fax: 989-386-3500  
Email: [info@stageright.com](mailto:info@stageright.com)  
Web: [www.stageright.com](http://www.stageright.com)